



## XF Series LPG Cushion Tire Forklift

with capacities of 3,000 to 6,500lbs

*The World of Hangcha*





## CONCEPT

XF series LPG cushion tire forklift is developed on basis of existing XF series by Hangcha, with world-leading technologies, a world-class forklift that can meet your demand in all dimensions thanks to the overall upgrading in appearance modeling, energy conservation and environmental protection, comfort, safety, and reliability. Application of new technologies including load-sensing hydraulic system, energy-efficient lighting system, low-emission engine, effective noise and vibration control, and brand-new control system offers higher efficiency and lower cost for your work.



## LED lighting system and environmentally-friendly materials for entire truck



LED lights are applied for entire truck. It saves power and energy, with significantly increased performance and service life of lights.

Environmentally-friendly materials are applied for the entire truck to minimize damage to environment.

## Visualized LCD instrument panel



Newly developed LCD meters have more complete functions and more stable performance. Important information including running status of the entire truck and failure of the engine (electronically controlled engine) can be displayed completely, so that the operator can understand status of the truck in a visualized manner, for easy maintenance.



*Suspension Seat*

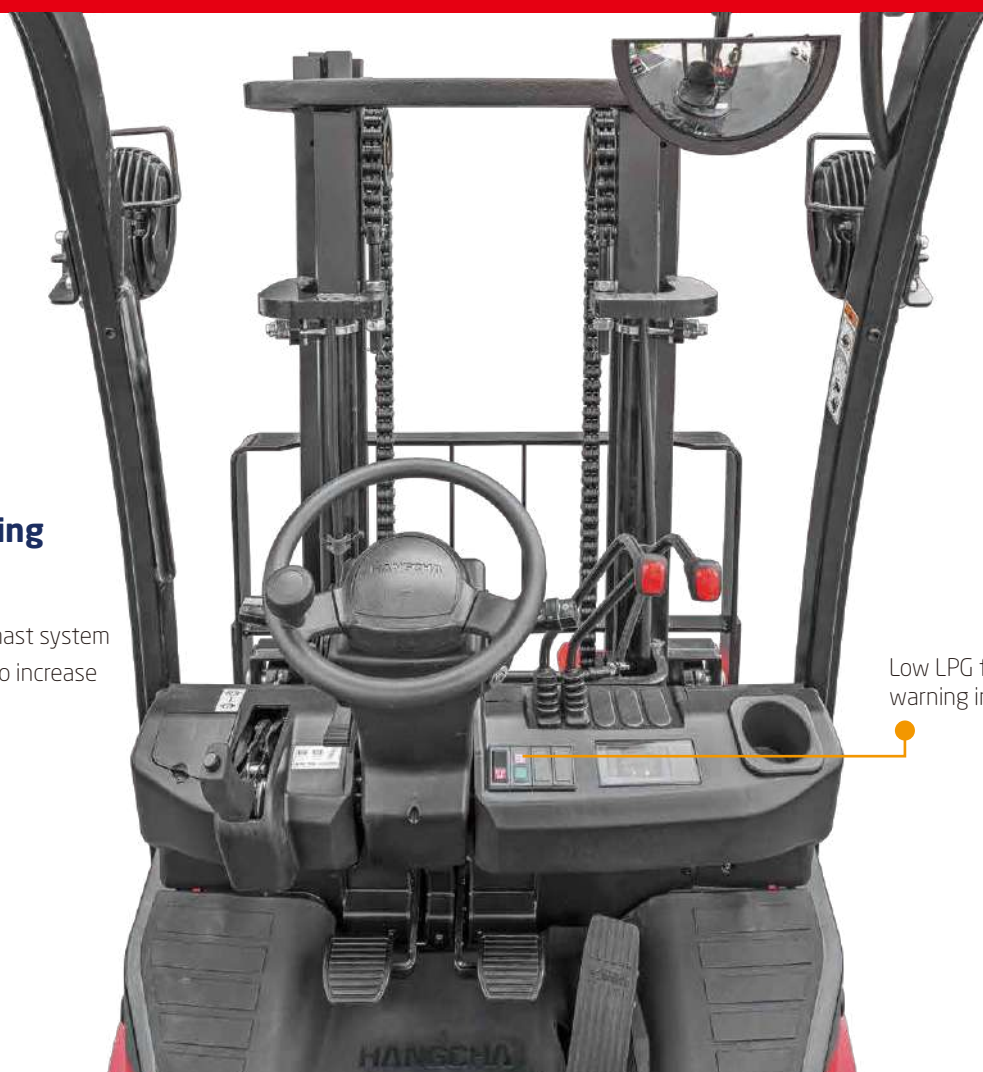
**57.1 INCHES**  
*Short Wheelbase*





## Wide-view mast offering better visibility

New type of steel channels and mast system of brand-new design are applied to increase visibility in front of the driver.



Low LPG fuel warning indicator



### **New generation of integrated electrical box**

The new generation of integrated electrical box is applied, with reasonable layout, easy for service and maintenance, with better waterproof performance.

The entire truck is equipped with waterproof connectors, with increased waterproof performance.



### **Full-view rear view mirror**

Full-view rear view mirror provides wider rear view, safer for operation.



### **Safety lock for engine hood**

It is safe for driving by the operator, and can be opened easily.

### **Reliable hydraulic system**

Optimized hydraulic breather structure, with built-in return oil filter, increases service life of hydraulic oil system;

Load-sensing hydraulic steering system is highly energy efficient.

### **Cooling system of optimized design**

Aluminum plate-fin radiator of stronger cooling performance and higher structural strength is applied, with independent oil radiator, optimized heat transfer channel, and counterweight with dual-hole ventilation, which improve cooling efficiency substantially, increase reliability for heavy-load operation, and guarantee reliable work of the engine.







### Large hand grip

Large hand grip of optimized design enables easier access to the truck.



### Steering axle

Large-sized conical bearing is applied at master pin of the steering axle, together with a large-diameter steering cylinder, and buffer blocks at top, which increase reliability of the steering axle substantially.



### High-strength suspension overhead guard

The overhead guard is fabricated with specially-shaped steel tubes, with high strength; integral overhead guard, easy for repair and disassembly; flexible connection is applied between overhead guard and truck frame, with small vibration, which increases operator comfort substantially.





### New steering wheel adjusting mechanism

Small-diameter steering wheel and electro-hydraulic steering (hydraulic transmission) design, and car-like combination switch of double handles, increase operator comfort substantially.



### Tilt-back LP bracket (3000~3500lbs Opt.)

Tilt-back cylinder holder is easy for replacing LPG cylinder and opening engine hood for maintenance.



### North America certified engine

High power and high torque, favorable clean emission, and excellent fuel economy;

Emission standard of the engine is in compliance with EPA/CARB Tier2;

Electronically controlled engine.



Interactive instrument: The instrument adopts 4.0-inch color LCD display with four interactive buttons, and has one CAN bus communication function. The communication protocol is compatible with CANopen and SAE J1939 standards.



### Hood plate with large open angle

The hood plate has a large open angle, easy for maintenance.

## Standard Configuration

- / Traction unit
- / Small-diameter steering wheel
- / Integrated combination switch
- / Extended hand grip
- / Steering wheel adjusting device
- / Cable-type parking brake (with self-lock)
- / Suspension seat with safety belt
- / Large-capacity aluminum radiator
- / Dynamic load sensing system
- / Suspension integral overhead guard
- / Whirlwind high-efficiency air filter
- / Hydraulic oil suction filter element
- / Roof
- / Safe filter element
- / Inclined oil way latching valve
- / Full-view rear view mirror
- / High-efficiency exhaust muffler
- / Hydraulic oil dipstick
- / High-performance tire
- / Access/exit safe step
- / High-efficiency LED combination front lamp
- / Large rubber pedal pad
- / High-efficiency LED combination rear lamp
- / Full floating transmission
- / Steering wheel adjusting device
- / Maintenance-free battery
- / Transmission oil filter element
- / Hydraulic oil return oil filter element
- / Combined LCD meters
- / Gearbox dipstick
- / Engine hood spring
- / Integrated controller
- / Gearbox oil cooler
- / File folder
- / Alarm light
- / Non-asbestos brake
- / Electro-hydraulic steering
- / Charging reminder
- / Load-sensing steering system
- / Suspension operation pedal
- / Oil gauge
- / Water thermometer
- / Cup holder
- / Preheating indication
- / Duplex wide-view mast
- / Charge indication
- / Standard fork
- / Timer
- / Standard carriage
- / Engine oil pressure alarm
- / Standard load backrest
- / Gearbox oil temperature alarm
- / Maintenance reminder
- / Load safety valve
- / Horn
- / Soft landing system
- / Reversing buzzer
- / Mast lifting buffer device
- / Tilt piston rod jacket
- / Fan protector
- / Reversing assist grip with horn button
- / Front acoustic hood of steering wheels
- / Low LPG fuel warning indicator
- / Double soundproof pad of hood
- / Swing-out LP bracket (4000-6500lbs)
- / Speed control switch
- / Smooth cushion tyre
- / Tilt back LP bracket (3000-3500lbs)

## Options

- / Customized paint color
- / LED rear work light
- / Auxiliary hydraulic valve group
- / Over-speed alarm
- / Engine hood lock
- / Fire extinguisher
- / OPS system
- / High-low overhead guard
- / Radiator screen
- / Pre-cleaner
- / Blue spot light
- / Counter weight net
- / Swing-down LP bracket (4000-6500lbs)
- / Traction cushion tyre
- / Smooth Non-marking cushion tyre
- / Belly pan

## Special Mast Devices

- / Duplex wide-view full-free mast
- / Triplex wide-view full-free mast
- / Special duplex wide-view mast
- / Wider carriage
- / Special fork

## Optional Accessories

- / Paper roll clamp
- / Side-shift fork
- / Rotating flat clamp
- / Rotating fork
- / Load stabilizer
- / Fork extension
- / Multi-drum clamp
- / Load release device
- / Bale clamp
- / Carton clamp
- / Oil barrel clamp
- / Push-pull device
- / Dumping clamp
- / Bucket
- / Crane arm
- / Lifting hook
- / String pole
- / Extended fork
- / Weighing system

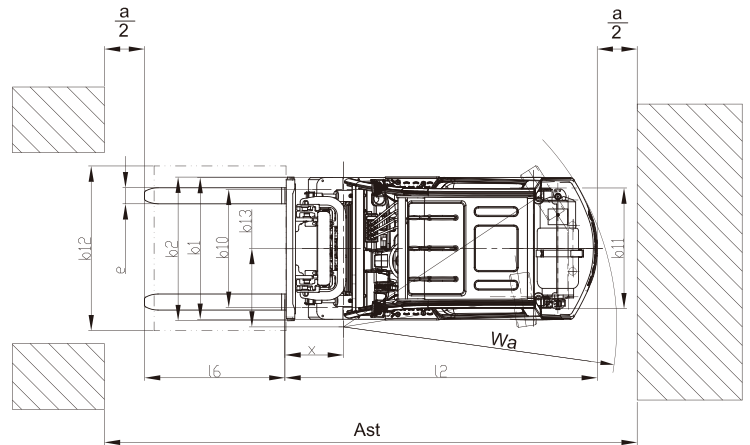
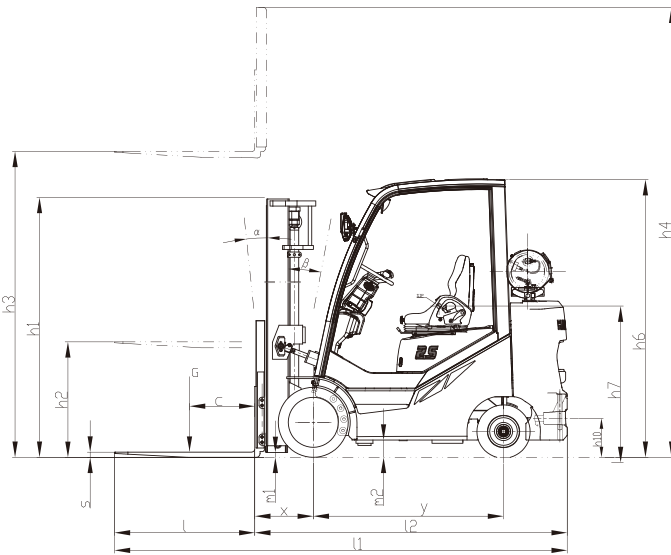




# 6000-6500lbs XF series mast:(Cushion)

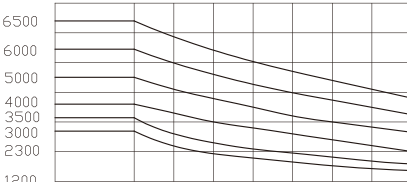
Type	Model	Max. fork height in (mm)	Overall height				Free lift		Front Overhang in (mm)	Tilt range FIR (°)	Capacity		
			Lowered in (mm)	Extended		Without backrest in (mm)	With backrest in (mm)	Without backrest in (mm)			With backrest in (mm)	Load capacity at 24 in (600mm)	
				Without backrest in (mm)	With backrest in (mm)							6000lb(3.0t) lb(kg)	6500lb(3.2t) lb(kg)
Wide view mast	XFC30M200	78.7(2000)	57.9 (1470)	106.4 (2702)	123.8 (3145)	5.3 (135)	5.3 (135)	17.7 (450)	6°8	6000 (2700)	6500 (2950)		
	XFC30M250	98.4(2500)	67.7 (1720)	126.1 (3202)	143.5 (3645)	5.3 (135)	5.3 (135)	17.7 (450)	6°8	6000 (2700)	6500 (2950)		
	XFC30M270	106.3(2700)	71.7 (1820)	134 (3402)	151.4 (3845)	5.3 (135)	5.3 (135)	17.7 (450)	6°8	6000 (2700)	6500 (2950)		
	XFC30M300	118.1(3000)	77.6 (1970)	145.7 (3702)	163.2 (4145)	5.3 (135)	5.3 (135)	17.7 (450)	6°8	6000 (2700)	6500 (2950)		
	XFC30M330	129.9(3300)	83.5 (2120)	157.6 (4002)	175 (4445)	5.3 (135)	5.3 (135)	17.7 (450)	6°8	6000 (2700)	6500 (2950)		
	XFC30M350	137.8(3500)	87.4 (2220)	165.4 (4202)	182.9 (4645)	5.3 (135)	5.3 (135)	17.7 (450)	6°8	6000 (2700)	6500 (2950)		
	XFC30M360	141.7(3600)	91.3 (2320)	169.4 (4302)	186.8 (4745)	5.3 (135)	5.3 (135)	17.7 (450)	6°8	6000 (2700)	6500 (2950)		
	XFC30M400	157.5(4000)	101.2 (2570)	185.1 (4702)	202.6 (5145)	5.3 (135)	5.3 (135)	17.7 (450)	6°8	6000 (2700)	6500 (2950)		
	XFC30M430	169.3(4300)	107.1 (2720)	196.9 (5002)	214.4 (5445)	5.3 (135)	5.3 (135)	17.7 (450)	6°6	6000 (2700)	6500 (2950)		
	XFC30M450	177.2(4500)	111 (2820)	204.8 (5202)	222.2 (5645)	5.3 (135)	5.3 (135)	17.7 (450)	6°6	6000 (2700)	6500 (2950)		
	XFC30M470	185(4700)	115 (2920)	212.7 (5402)	230.1 (5845)	5.3 (135)	5.3 (135)	17.7 (450)	6°6	5850 (2650)	6050 (2750)		
	XFC30M480	189(4800)	116.9 (2970)	216.6 (5502)	234.1 (5945)	5.3 (135)	5.3 (135)	17.7 (450)	6°6	5750 (2600)	6000 (2700)		
XFC30M500	196.9(5000)	120.9 (3070)	224.5 (5702)	241.9 (6145)	5.3 (135)	5.3 (135)	17.7 (450)	6°6	5400 (2450)	5500 (2500)			
Wide view full free duplex mast	XFC30U200	78.7(2000)	59.8 (1520)	105.7 (2685)	123.8 (3145)	32.9 (835)	14.8 (375)	17.7 (450)	6°8	6000 (2700)	6500 (2950)		
	XFC30U250	98.4(2500)	69.7 (1770)	126.4 (3185)	143.5 (3645)	42.7 (1085)	24.6 (625)	17.7 (450)	6°8	6000 (2700)	6500 (2950)		
	XFC30U270	106.3(2700)	73.6 (1870)	133.3 (3385)	151.4 (3845)	46.7 (1185)	28.5 (725)	17.7 (450)	6°8	6000 (2700)	6500 (2950)		
	XFC30U300	118.1(3000)	79.5 (2020)	145 (3685)	163.2 (4145)	52.6 (1335)	34.4 (875)	17.7 (450)	6°8	6000 (2700)	6500 (2950)		
	XFC30U330	129.9(3300)	85.4 (2170)	156.9 (3985)	175 (4445)	58.5 (1485)	40.4 (1025)	17.7 (450)	6°8	6000 (2700)	6500 (2950)		
	XFC30U350	137.8(3500)	89.3 (2270)	164.8 (4185)	182.9 (4645)	62.4 (1585)	44.3 (1125)	17.7 (450)	6°8	6000 (2700)	6500 (2950)		
	XFC30U360	141.7(3600)	91.3 (2320)	168.7 (4285)	186.8 (4745)	64.4 (1635)	46.3 (1175)	17.7 (450)	6°8	6000 (2700)	6500 (2950)		
	XFC30U400	157.5(4000)	101.2 (2570)	184.4 (4685)	202.6 (5145)	74.2 (1885)	56.1 (1425)	17.7 (450)	6°8	6000 (2700)	6500 (2950)		
Wide view full free triplex mast	XFC30N400	157.5(4000)	77.6 (1970)	184.4 (4685)	202.6 (5145)	50.4 (1280)	32.3 (825)	18 (457)	6°6	6000 (2700)	6500 (2950)		
	XFC30N430	169.3(4300)	79.5 (2020)	196.3 (4985)	214.4 (5445)	52.4 (1330)	34.4 (875)	18 (457)	6°6	6000 (2700)	6500 (2950)		
	XFC30N450	177.2(4500)	83.5 (2120)	204 (5185)	222.2 (5645)	56.3 (1430)	38.4 (975)	18 (457)	6°6	6000 (2700)	6500 (2950)		
	XFC30N470	185(4700)	87.4 (2220)	212 (5385)	230.1 (5845)	60.2 (1530)	42.3 (1075)	18 (457)	6°6	5850 (2650)	6050 (2750)		
	XFC30N480	189(4800)	89.3 (2270)	216 (5485)	234.1 (5945)	62.2 (1580)	44.3 (1125)	18 (457)	6°6	5750 (2600)	6000 (2700)		
	XFC30N500	196.9(5000)	93.3 (2370)	223.8 (5685)	241.9 (6145)	66.1 (1680)	48.2 (1225)	18 (457)	6°6	5400 (2450)	5500 (2500)		
	XFC30N550	216.5(5500)	101.2 (2570)	243.5 (6185)	261.6 (6645)	74.0 (1880)	56.1 (1425)	18 (457)	3°6	4000 (1800)	4600 (2100)		
	XFC30N600	236.2(6000)	111 (2820)	263.2 (6685)	281.3 (7145)	83.9 (2130)	65.9 (1675)	18 (457)	3°6	3850 (1750)	3750 (1700)		
Wide view full free triplex mast	XFC30D400	157.5(4000)	77.6 (1970)	184.4 (4685)	202.6 (5145)	50.4 (1280)	32.3 (825)	18 (457)	6°6	6000 (2700)	6500 (2950)		
	XFC30D430	169.3(4300)	79.5 (2020)	196.3 (4985)	214.4 (5445)	52.4 (1330)	34.4 (875)	18 (457)	6°6	6000 (2700)	6500 (2950)		
	XFC30D450	177.2(4500)	83.5 (2120)	204 (5185)	222.2 (5645)	56.3 (1430)	38.4 (975)	18 (457)	6°6	6000 (2700)	6500 (2950)		
	XFC30D470	185(4700)	87.4 (2220)	212 (5385)	230.1 (5845)	60.2 (1530)	42.3 (1075)	18 (457)	6°6	5850 (2650)	6050 (2750)		
	XFC30D480	189 (4800)	89.3 (2270)	216 (5485)	234.1 (5945)	62.2 (1580)	44.3 (1125)	18 (457)	6°6	5750 (2600)	6000 (2700)		
	XFC30D500	196.9(5000)	93.3 (2370)	223.8 (5685)	241.9 (6145)	66.1 (1680)	48.2 (1225)	18 (457)	6°6	5400 (2450)	5500 (2500)		
	XFC30D550	216.5(5500)	101.2 (2570)	243.5 (6185)	261.6 (6645)	74.0 (1880)	56.1 (1425)	18 (457)	3°6	4000 (1800)	4600 (2100)		
	XFC30D600	236.2(6000)	111 (2820)	263.2 (6685)	281.3 (7145)	83.9 (2130)	65.9 (1675)	18 (457)	3°6	3850 (1750)	3750 (1700)		

With sideshifter minus 400lb(200kg),with integral sideshifter minus 200lb(100kg).



$$Ast=L6+X+Wa+a \quad a=200$$

LIFTING HEIGHT-1181 in (11b)



24 27.6 31.5 35.4 39.4 43.3 47.2 51.2(in)



# XF series LPG cushion tire forklift truck 3000-6500lbs specification

		HANGCHA GROUP CO.,LTD.								
Distinguishing mark	1.1	Manufacturer								
		HCFA Model		FP15C	FP18C	FP20C	FP25C	FP30C	FP32C	
	1.2	Manufacturer's type designation		CPY015-XW81F-C	CPY018-XW81F-C	CPY020-XW71F-C	CPY025-XW71F-C	CPY030-XW71F-C	CPY032-XW71F-C	
	1.3	Drive: electric (battery or mains), diesel, petrol, fuel gas		LPG	LPG	LPG	LPG	LPG	LPG	
	1.4	Operator type: hand, pedestrian, standing, seated, order-picker		Seated	Seated	Seated	Seated	Seated	Seated	
	1.5	Rated capacity/rated load	Q	lb (kg)	3000(1350)	3500(1600)	4000 (1800)	5000 (2250)	6000 (2700)	6500 (2950)
	1.6	Load centre distance	c	in(mm)	24(600)	24(600)	24 (600)	24 (600)	24 (600)	24 (600)
	1.7	Load distance, centre of drive axle to fork	x	in(mm)	15.4(391)	15.4(391)	16.8 (427)	16.8 (427)	17.7 (450)	17.7 (450)
1.8	Wheelbase	y	in (mm)	49.2(1250)	49.2(1250)	57.1 (1450)	57.1 (1450)	57.1 (1450)	57.1 (1450)	
Weight	2.1	Service Weight		lb(kg)	6480(2940)	6830(3100)	7880 (3575)	8640 (3920)	9570 (4340)	9900 (4490)
	2.2	Axle loading, laden front/rear		lb(kg)	8115/1365 (3670/620)	9000/1330 (4095/605)	10210/1670 (4610/765)	11830/1810 (5350/820)	13500/2070 (6100/940)	14220/2180 (6450/990)
	2.3	Axle loading, unladen front/rear		lb(kg)	2670/9810 (1210/1730)	2600/4230 (1180/1920)	3050/4830 (1385/2190)	3215/5425 (1460/2460)	3090/6480 (1400/2940)	3200/6700 (1450/3040)
Tyres, chassis	3.1	Tyres: solid rubber, superelastic, pneumatic, polyurethane			Cushion	Cushion	Cushion	Cushion	Cushion	Cushion
	3.2	Tyre size, front			18*6*12-1/8	18*6*12-1/8	21*7*15	21*7*15	21*8*15	21*8*15
	3.3	Tyre size, rear			14*5*10	14*5*10	16*6*10.5	16*6*10.5	16*6*10.5	16*6*10.5
	3.4	Wheels, number front / rear (x = driven wheels)			2*/2	2*/2	2*/2	2*/2	2*/2	2*/2
	3.5	Tread, front	b10	in (mm)	31.9(810)	31.9(810)	35.4(900)	35.4(900)	36.2(920)	36.2(920)
	3.6	Tread, rear	b11	in(mm)	32.7(830)	32.7(830)	36.2(920)	36.2(920)	36.2(920)	36.2(920)
Dimensions	4.1	Tilt of mast/fork carriage forward/backward	$\alpha/\beta$	(°)	6/8	6/8	6/8	6/8	6/8	6/8
	4.2	Height, mast lowered	h1	in (mm)	77.3(1963.5)	77.3(1963.5)	77.6(1970)	77.6(1970)	77.6(1970)	77.6(1970)
	4.3	Free lift	h2	in(mm)	5.3(135)	5.3(135)	5.5(140)	5.5(140)	5.3(135)	5.3(135)
	4.4	Lift	h3	in (mm)	118.1(3000)	118.1(3000)	118.1(3000)	118.1(3000)	118.1(3000)	118.1(3000)
	4.5	Height, mast extended	h4	in (mm)	155.7(3955)	155.7(3955)	159.3(4046)	159.3(4046)	163.2(4145)	163.2(4145)
	4.6	Height of overhead guard	h6	in (mm)	81.7(2075)	81.7(2075)	83.3(2115)	83.3(2115)	83.3(2115)	83.3(2115)
	4.7	Seat height relating to SIP	h7	in (mm)	38.6(980)	38.6(980)	40.2(1020)	40.2(1020)	40.2(1020)	40.2(1020)
	4.8	Coupling height	h10	in (mm)	10.2(260)	10.2(260)	11.8(300)	11.8(300)	11.8(300)	11.8(300)
	4.9	Overall length	l1	in (mm)	118.7(3016)	120(3046)	132.5(3367)	135.1(3432)	138(3505)	139(3530)
	4.10	Length to face of forks	l2	in (mm)	82.5(2096)	83.7(2126)	90.4(2297)	93(2362)	95.7(2435)	96.7(2460)
	4.11	Overall width (without backrest)	b1	in(mm)	38(964)	38(964)	42.5(1080)	42.5(1080)	44.2(1123)	44.2(1123)
	4.12	Fork dimensions	s/e/l	in (mm)	1.4*39*36.2(35*100*920)	1.4*39*36.2(35*100*920)	1.6*48*42(40*122*1070)	1.6*48*42(40*122*1070)	1.8*48*42(45*122*1070)	1.8*48*42(45*122*1070)
	4.13	Fork carriage DIN 15 173 --- ISO 2328, class/type A,B			Class A	Class A	Class A	Class A	Class A	Class A
	4.14	Backrest width	b2	in (mm)	35.4(900)	35.4(900)	43 (1094)	43 (1094)	45.5 (1156)	45.5 (1156)
	4.15	Fork-carriage width	b3	in(mm)	37.6(954)	37.6(954)	40.9(1038)	40.9(1038)	43.3(1100)	43.3(1100)
	4.16	Distance between fork-arms	b5	in (mm)	8.9-36.2(226-920)	8.9-36.2(226-920)	8.9-39.7(226-1008)	8.9-39.7(226-1008)	9.9-42.6(252-1082)	9.9-42.6(252-1082)
	4.17	Ground clearance, laden, below mast	m1	in (mm)	3.3(83.5)	3.3(83.5)	3.5(90)	3.5(90)	3.5(90)	3.5(90)
	4.18	Ground clearance, centre of wheelbase	m2	in (mm)	3.7(93.5)	3.7(93.5)	5.1(130)	5.1(130)	5.1(130)	5.1(130)
	4.19.1	Aisle width for pallets 1000 x 1200 crossways	Ast	in (mm)	132.7(3371)	133.9(3401)	139.8(3552)	142.4(3617)	145(3685)	146.1(3710)
	4.19.2	Aisle width for pallets 800 x 1200 lengthways	Ast	in (mm)	140.6(3571)	141.8(3601)	147.7(3752)	150.3(3817)	153(3885)	153.9(3910)
	4.20	Turning radius	Wa	in(mm)	70.1(1780)	71.3(1810)	75.8(1925)	78.3(1990)	80.3(2035)	81.1(2060)
4.21	Minimum pivoting distance	b13	in(mm)	18.9(481)	18.9(481)	21.2(539)	21.2(539)	21.2(539)	21.2(539)	
Performance Data	5.1	Travel speed, laden/unladen		mph (km/h)	11.2/11.5 (18/18.5)	11.2/11.5 (18/18.5)	10.9/11.5 (17.5/18.5)	10.9/11.5 (17.5/18.5)	10.9/11.5 (17.5/18.5)	10.9/11.5 (17.5/18.5)
	5.2	Lift speed, laden/unladen		ft/min (m/s)	110/118 (0.56/0.60)	110/118 (0.56/0.60)	122/128 (0.62/0.65)	122/128 (0.62/0.65)	98.4/104.3 (0.50/0.53)	98.4/104.3 (0.50/0.53)
	5.3	Lowering speed, laden/unladen		ft/min (m/s)	88.6/98.4 (0.45/0.50)	88.6/98.4 (0.45/0.50)	88.6/98.4 (0.45/0.50)	88.6/98.4 (0.45/0.50)	88.6/98.4 (0.45/0.50)	88.6/98.4 (0.45/0.50)
	5.4	Drawbar pull, laden/unladen		N	16500/8500	16500/8500	23000/9000	23000/9000	23000/9000	23000/9000
	5.5	Gradeability, laden/unladen		%	25/20	25/20	30/20	30/20	25/20	25/20
	5.6	Service brake			Hydraulic	Hydraulic	Hydraulic	Hydraulic	Hydraulic	Hydraulic
	5.7	Parking brake			Mechanical	Mechanical	Mechanical	Mechanical	Mechanical	Mechanical
Combustion-engine	6.1	Engine manufacturer/type			GCT GK21 LPG CERT	GCT GK21 LPG CERT	GCT GK25 LPG CERT	GCT GK25 LPG CERT	GCT GK25 LPG CERT	GCT GK25 LPG CERT
	6.2	Engine power		hp (kW)	53.6 (40)	53.6 (40)	61.4 (45.8)	61.4 (45.8)	61.4 (45.8)	61.4 (45.8)
	6.3	Rated speed		r/min	2700	2700	2700	2700	2700	2700
	6.4	Number of cylinders/displacement		(-)/(cm <sup>3</sup> )	4/2065	4/2065	4/2488	4/2488	4/2488	4/2488
	6.5	Generator		V	12	12	12	12	12	12
	6.6	Vehicle electrical system voltage		V	12	12	12	12	12	12
	6.7	Battery voltage/nominal capacity		V/Ah	12/60	12/60	12/60	12/60	12/60	12/60
	6.8	Rated torque		N·m/r/min	150/2000	150/2000	187/1600	187/1600	187/1600	187/1600
	6.9	Transmissions Manufacturer			Hangcha	Hangcha	Hangcha	Hangcha	Hangcha	Hangcha
	6.10	Transmissions Type			Powershift	Powershift	Powershift	Powershift	Powershift	Powershift
	6.11	Stage FWD/RVS			1/1	1/1	1/1	1/1	1/1	1/1
Addition data	7.1	Operating pressure for attachments		psi (MPa)	2103(14.5)	2538(17.5)	2538(17.5)	2538(17.5)	2538(17.5)	2538(17.5)
	7.2	Hydraulic Tank - capacity (drain & refill)		gal (liter)	8.5(32)	8.5(32)	11(42)	11(42)	11(42)	11(42)
	7.3	Fuel tank capacity		gal (liter)	NA	NA	NA	NA	NA	NA



**HC FORKLIFT AMERICA CORPORATION**

**Company address:**  
10405-A Granite Street Charlotte,  
NC 28273

Toll Free: 888-652-8395  
Phone: 980-888-8335  
Fax: 980-888-8336

america@hcforklift.com  
www.hcforkliftamerica.com



Follow us on  
Facebook



Follow us on  
YouTube



Follow us on  
WeChat



Download "Hangcha  
Forklift" App

HANGCHA GROUP CO., LTD. reserves the right to make any changes without notice concerning colors, equipment, or specifications detailed in this brochure, or to discontinue individual models. The colors of trucks, delivered may differ slightly from those in brochures.